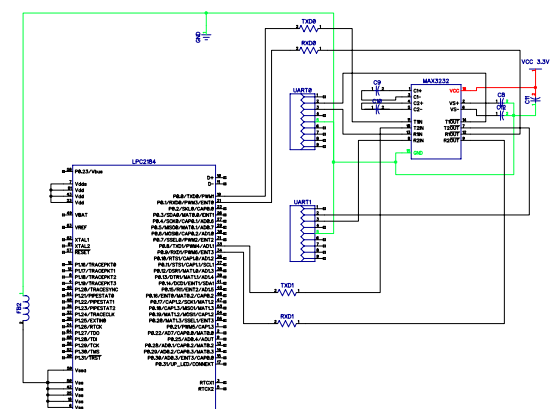


REVISIONS				
ZONE	REV	DESCRIPTION	DATE	APPROVED



LPC2148 & UART			
TXD0, RXD0, TXD1, RXD1 = 0E			
SIZE	FSCM NO.	DIWG NO.	REV
SCALE	Sheet 1		